

FORESTRY MULCHERS FOR SPECIAL VEHICLES

300/U/PM

Heavy duty hydraulic mulcher for higher horse power carriers.

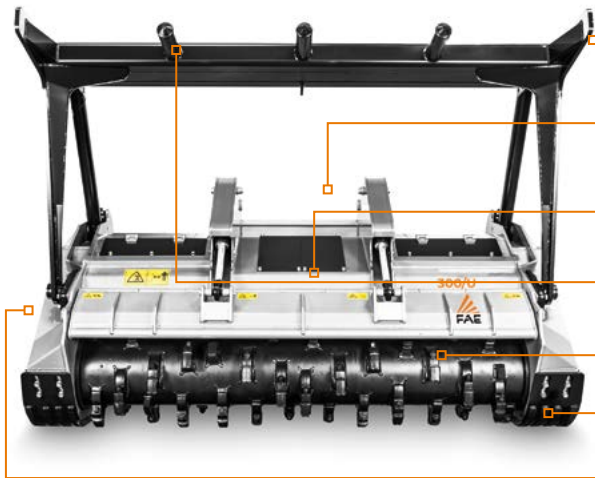
The 300/U/PM mulcher is highly productive, strong, and lightweight, with a fixed-teeth rotor that lets it mulch plants and trunks up to 16 in in diameter. It may be customized to meet specific needs.



300-450 hp



Ø 16 in max



Hydraulic push frame

Customized attachment plates

Hydraulically controlled hood to adjust final product size

Ripper teeth for push frame

Possibility of having optional rotor and tooth

Adjustable skids

Customized hydraulic transmission

STANDARD EQUIPMENT

Considering the various available options and high level of customization, the final configuration will be specified upon request.

MODEL	300/U/PM-225	300/U/PM-250
Engine (hp)	300-450	300-450
Flow rate (gal/min)	98-135	98-135
Pressure (PSI)	3600-6000	3600-6000
Working width (in)	91	100
Total width (in)	110	119
Weight with C-type rotor (lbs)	8488	8841
Weight with B-type rotor (lbs)	9237	9722
Rotor diameter (in)	23.2	23.2
Max shredding diameter (in)	16	16
No. teeth type B/3+C/3/SS	80+2	92+2
type C/3+C/3/SS	50+2	56+2

Data refers to machine as standard set-up. Options may have reflects on weights and dimensions. The technical data in this catalogue may be altered without prior notice.

ROTOR TYPE B



TOOTH B/3 (standard)



TOOTH B/3/HD (option)

ROTOR TYPE C



TOOTH C/3 (standard)



TOOTH C/3/HD (option)



TOOTH K/3 (option)



TOOTH STCL/3 (option)



TOOTH C/3/SS (side scraper)